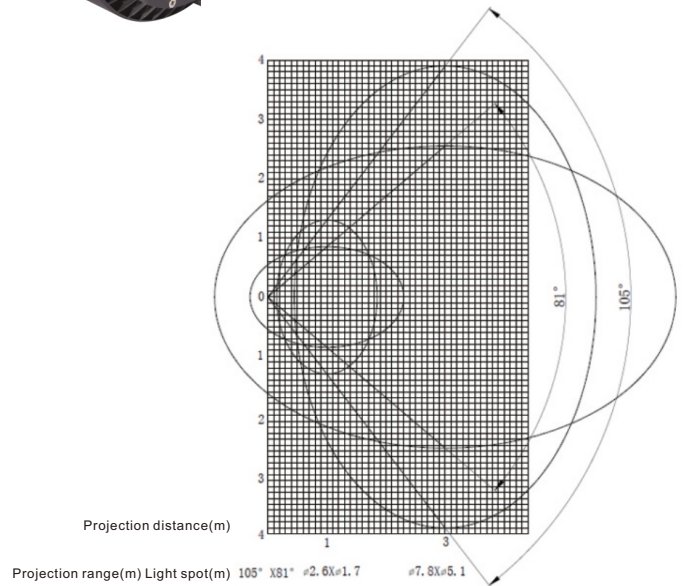
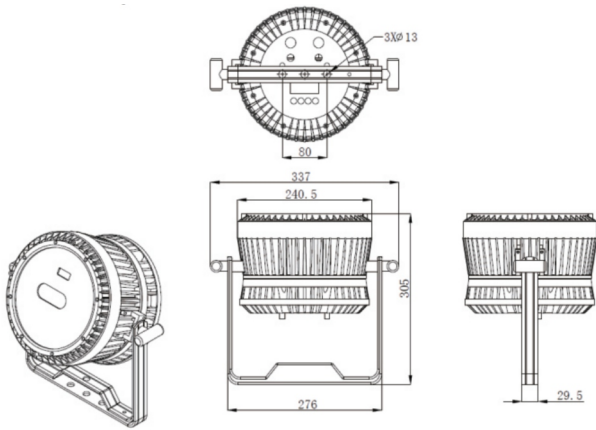




# Starry Sky Light

## TL-LT402



### Feature:

- \* Function: dynamic starry sky effect, forward and backward rotation, adjustable speed, light and dark linear conversion.
- \* Dimming: 0-100% linear adjustment.
- \* Pattern effect: dynamic starry sky effect.
- \* Over-temperature protection function: built-in NTC temperature control function. When the LED is overheated, the output power will be intelligently reduced.

### Specifications:

<b>Model</b>	TL-LT402
<b>Input voltage</b>	AC 110-240V 50/60Hz, 20W
<b>Light source</b>	Imported chip, 5W laser diode, white light module
<b>Average lifespan</b>	10000H
<b>Color temperature</b>	7000K
<b>Best projection distance</b>	3-8 meters
<b>Best projection area</b>	12-60 square meters
<b>Color</b>	RGBW(optional)
<b>Beam angle</b>	105°*81°
<b>Control mode</b>	Comply with the international standard DMX512 signal control protocol, built-in power-on self-propelled program, built-in 3 modes (forward rotation, backward rotation, light and dark linear conversion breathing effect) optional
<b>Fixture material</b>	High-strength die-cast aluminum alloy + high-efficiency heat pipe cooling system
<b>Protection level</b>	Protection IP65
<b>Working temperature</b>	-20°C~45 °C
<b>Fixture size (L×W×H)</b>	238×220×355mm
<b>Package size (L×W×H)</b>	370×330×355mm
<b>Net weight</b>	4.7kg